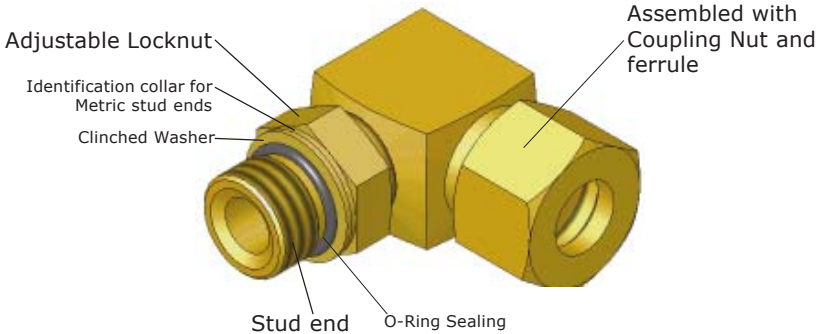


## Adjustable Locknut Elbows - WEE Series



### Added features

- Clinched Washer design.
- Orientation of the fittings can be easily achieved.
- Simple in assembly and reduced assembly height.
- Low price and maintenance free.

### Sizes

#### Low Pressure Series

6 mm OD to 42 mm OD

#### High Pressure Series

6 mm OD to 38 mm OD

Stud ends are available in Metric and SAE (UNF/UN) series.

Metric Stud ends are for ports as per ISO 6149-1

SAE (UNF/UN) Stud ends are for ports as per ISO 11926-1 (SAE J1926-1)

Adjustable Branch Tee and Barrel Tee designs are also available.



Adjustable Branch Tee (TEE)



Adjustable Barrel Tee (LEE)

For technical details and Datasheet, Contact [sales@hyloc.co.in](mailto:sales@hyloc.co.in)

## hyloc hydrotechnic pvt. ltd.

c26 industrial estate, udyambag,  
belgaum 590 008 - INDIA

tel : +91 831 244 1034  
fax : +91 831 244 1379  
web : [www.hyloc.co.in](http://www.hyloc.co.in)  
e-mail : [sales@hyloc.co.in](mailto:sales@hyloc.co.in)