

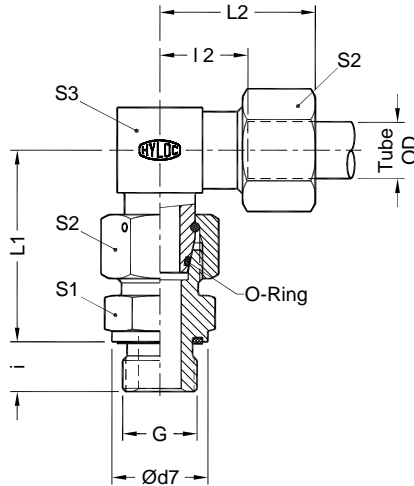
Swivel Stud Elbow Couplings with O-Ring

EW-GE

Dimensions in mm

DIN Fittings

Metric Tube end as per ISO 8434
 Male Stud - BSPP (G) threads
 DIN 3852-Part 11,
 with Elastomeric seal



Part No.	Series	Tube od	G Male BSP thread	Ød7	i	I 2	L1	* L2	S1	S2	S3
EW06PLGE	Light L 315 bar	6	G 1/8	14	8	12.0	34.5	27.5	14	14	12
EW08PLGE		8	G 1/4	19	12	14.0	37.5	29.0	19	17	14
EW10PLGE		10	G 1/4	19	12	15.0	40.0	30.5	19	19	17
EW12PLGE		12	G 3/8	22	12	17.0	42.0	32.0	22	22	19
EW15PLGE		15	G 1/2	27	14	21.0	46.5	37.0	27	27	22
EW18PLGE		18	G 1/2	27	14	23.5	50.0	40.5	27	32	27
EW22PLGE	160 bar	22	G 3/4	32	16	27.5	55.0	44.5	32	36	30
EW28PLGE		28	G 1	40	18	30.5	59.0	48.5	41	41	36
EW35PLGE		35	G1.1/4	50	20	34.5	68.5	57.5	50	50	46
EW42PLGE		42	G1.1/2	55	22	40.0	75.0	63.5	55	60	55
EW06PSGE	Heavy S 630 bar	6	G 1/4	19	12	16.0	40.0	31.5	19	17	14
EW08PSGE		8	G 1/4	19	12	17.0	42.5	32.0	19	19	17
EW10PSGE		10	G 3/8	22	12	17.5	45.0	34.5	22	22	19
EW12PSGE		12	G 3/8	22	12	21.5	48.0	38.0	22	24	22
EW16PSGE	400 bar	16	G 1/2	27	14	24.5	55.0	43.5	27	30	24
EW20PSGE		20	G 3/4	32	16	26.5	65.0	49.0	32	36	30
EW25PSGE		25	G 1	40	18	30.0	73.0	55.0	41	46	36
EW30PSGE		30	G1.1/4	50	20	35.5	78.5	63.5	50	50	46
EW38PSGE	315 bar	38	G1.1/2	55	22	41.0	89.0	72.5	55	60	55

* Dimensions given are approx figures with tightened nut.